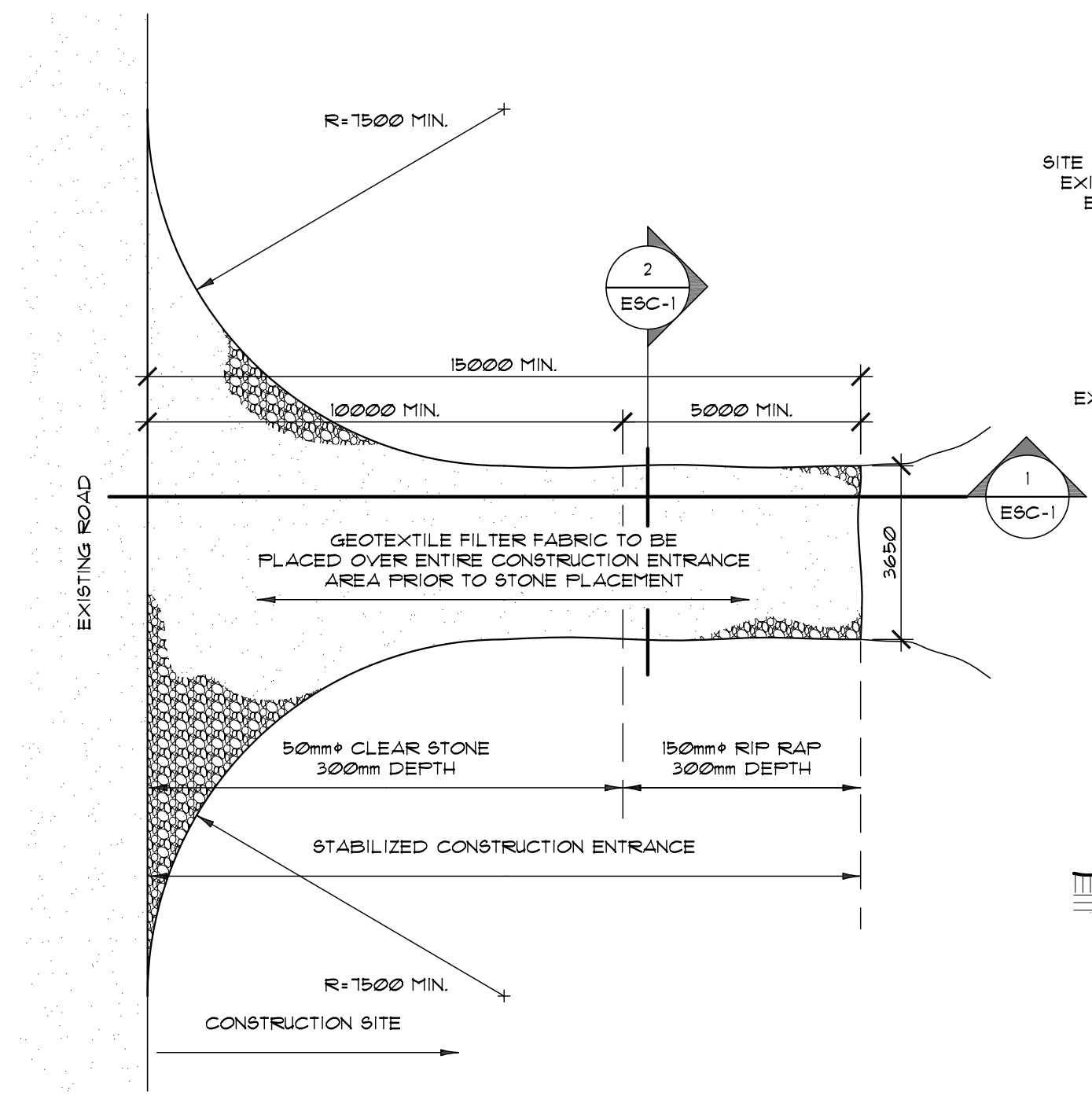
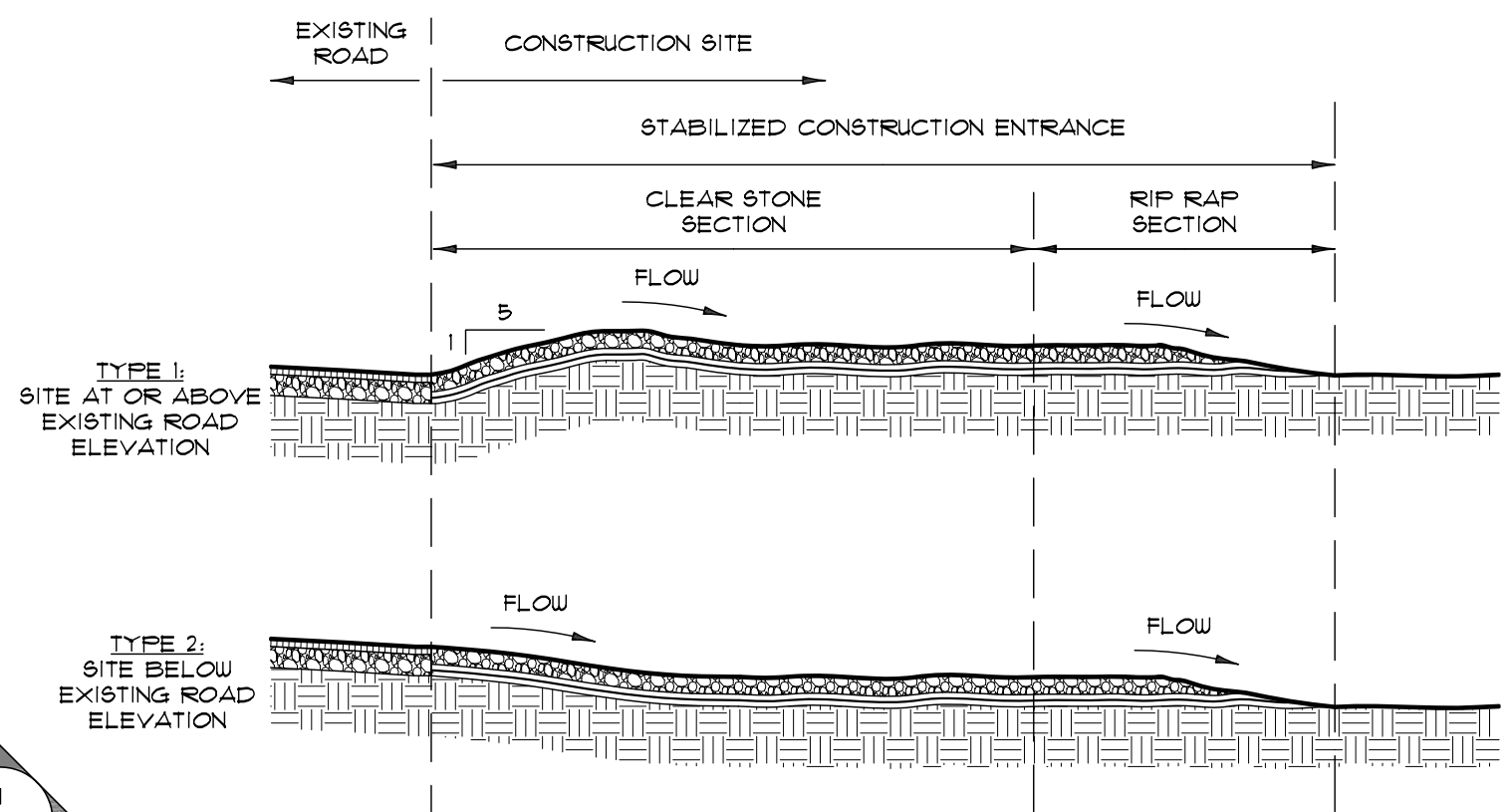


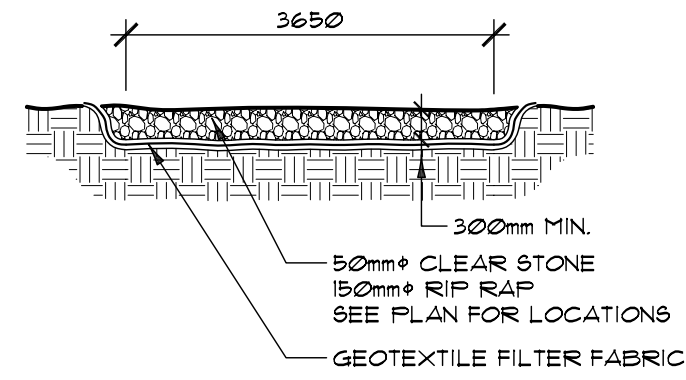
FILE



**PLAN CONSTRUCTION ENTRANCE**  
1:125



**SECTION**  
1  
1:125  
ESC-1



**SECTION**  
2  
1:75  
ESC-1

**NOTES**

1. THESE FIGURES ARE PROVIDED FOR GUIDANCE ONLY. A SITE SPECIFIC DESIGN MAY BE REQUIRED FROM THE DESIGNER OR ENGINEER.
2. CLEAR ALL VEGETATION, ROOTS, AND OTHER OBSTRUCTIONS PRIOR TO PREPARING CONSTRUCTION ENTRANCE.
3. GRADE AND COMPACT SOIL PRIOR TO PLACING GEOTEXTILE FILTER FABRIC.
4. INSPECT ENTRANCE ONCE EACH WEEK AND FOLLOWING ANY SIGNIFICANT STORM EVENT.
5. APPLY ADDITIONAL STONE AS REQUIRED. REMOVE SEDIMENTS AND OTHER MATERIALS FROM ALL AREAS TO MINIMIZE CLOGGING.
6. THE ENTRANCE MUST BE MAINTAINED IN A CONDITION WHICH WILL PREVENT TRACKING OR FLOW OF SEDIMENT ONTO PUBLIC ROADWAY.
7. ALL MATERIALS SPILLED, DROPPED, WASHED, OR TRACKED FROM VEHICLES ONTO ROADWAYS OR INTO STORM DRAINS MUST BE REMOVED IMMEDIATELY.

PROJECT NO. PROJ_NO	DRAWING NO. ESC-1
DATE 07/14/05	SCALE AS SHOWN
DRAWN BY GTL	CHECKED BY GP/MP
DRAWING TITLE STABILIZED CONSTRUCTION ENTRANCE	
PROJECT NAME EROSION AND SEDIMENTATION CONTROL PROCEDURES	
<b>ENERMODAL ENGINEERING LIMITED</b> 650 Riverbend Drive Kitchener, ON, Canada, N2K 3S2 Tel: 519 743 8777 Fax: 519 743 8778 Email: office@enermodal.com	