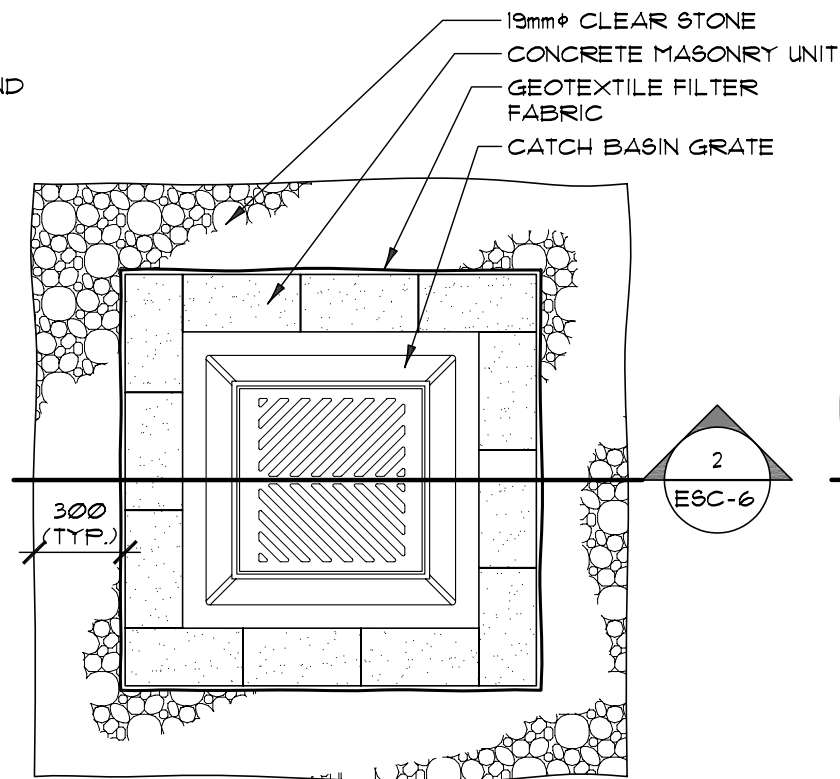


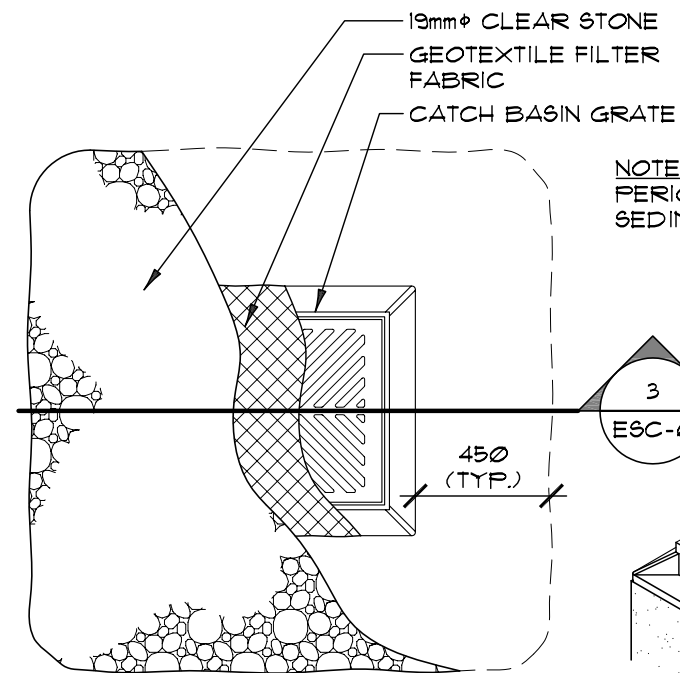
PLAN TYPE 1

N.T.S.



PLAN TYPE 2

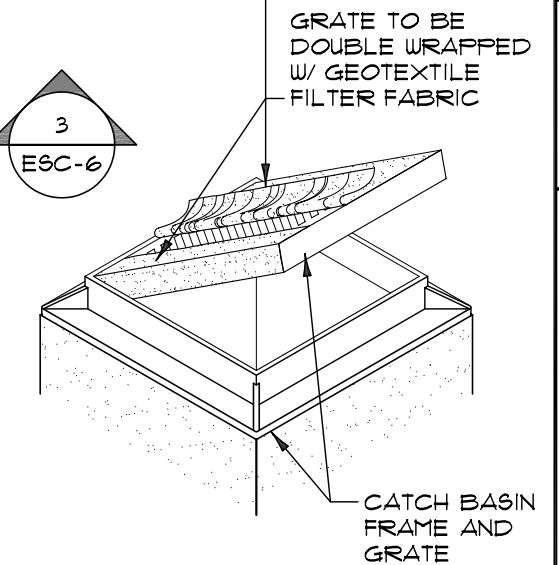
1:25



PLAN TYPE 3

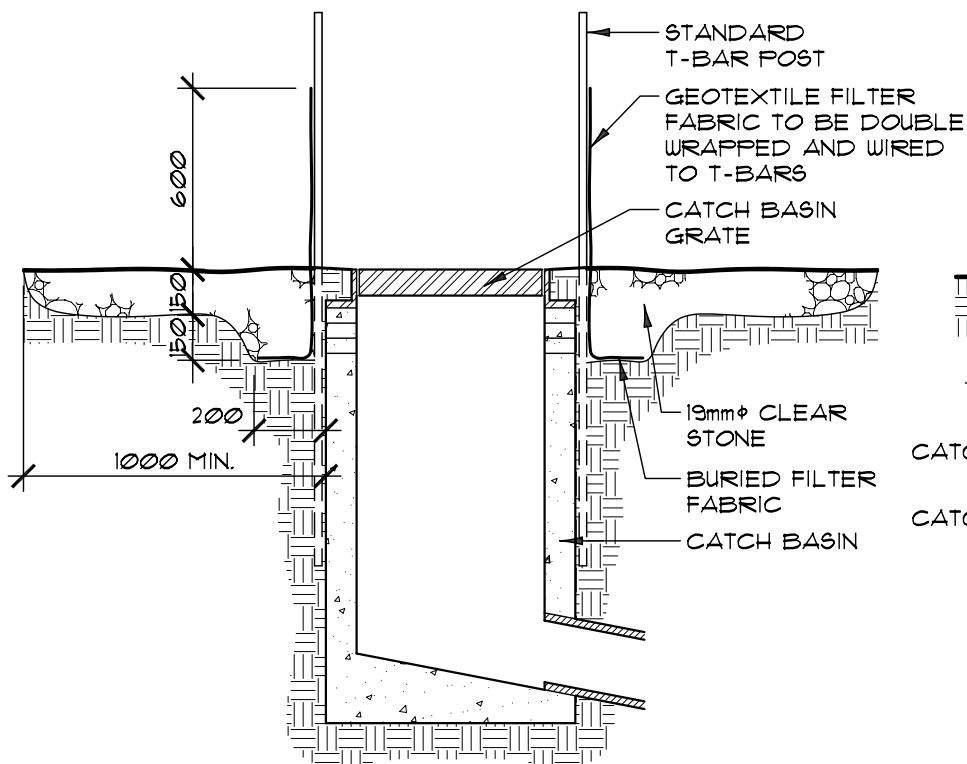
1:25

NOTE: GEOTEXTILE TO BE REPLACED PERIODICALLY WHEN ACCUMULATED SEDIMENTS INTERFERE WITH DRAINAGE



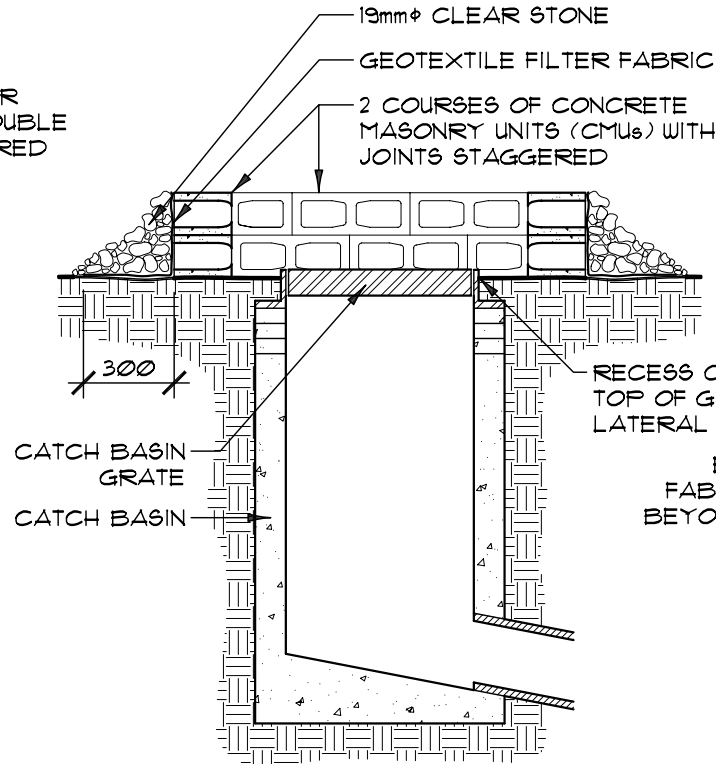
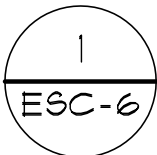
ISOMETRIC TYPE 4

1:25



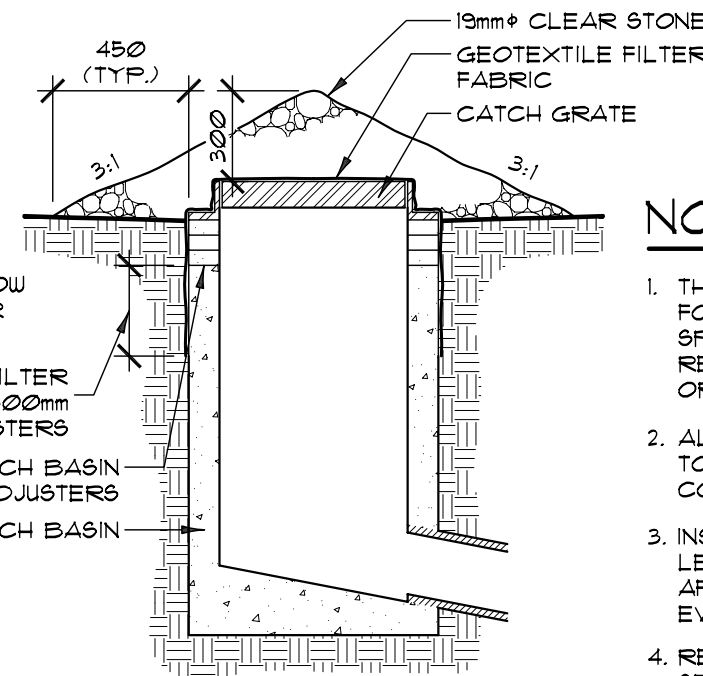
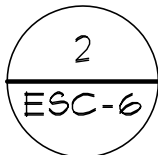
SECTION TYPE 1

1:25



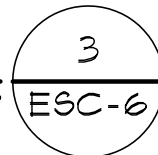
SECTION TYPE 2

1:25



SECTION TYPE 3

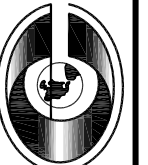
1:25



NOTES

1. THESE FIGURES ARE PROVIDED FOR GUIDANCE ONLY. A SITE SPECIFIC DESIGN MAY BE REQUIRED FROM THE DESIGNER OR ENGINEER.
2. ALL CATCH BASIN LIFT HOLES TO BE PARGED WITH CONCRETE.
3. INSPECT FOR DAMAGE AT LEAST ONCE EACH WEEK AND AFTER EVERY MAJOR STORM EVENT.
4. REMOVE ACCUMULATED SEDIMENT AND DEBRIS WHEN IT REACHES 1/2 THE DESIGN DEPTH OF THE TRAP.

| | | | |
|---------------------|--|-------------|----------|
| PROJECT NO. | PROJ_NO | DRAWING NO. | ES-6 |
| DATE | 07/13/05 | SCALE | AS SHOWN |
| DRAWN BY | GTL | CHECKED BY | GP/MP |
| DRAWING TITLE | INLET PROTECTION FOR DRAINAGE AREAS < 1 ACRE | | |
| PROJECT NAME | EROSION AND SEDIMENTATION CONTROL PRACTICES | | |
| ENGINEERING LIMITED | 650 Riverbend Drive Kitchener, ON, Canada, N2K 3S2 Tel: 519 743 8777 Fax: 519 743 8778 Email: office@nermoddi.com | | |



FILE